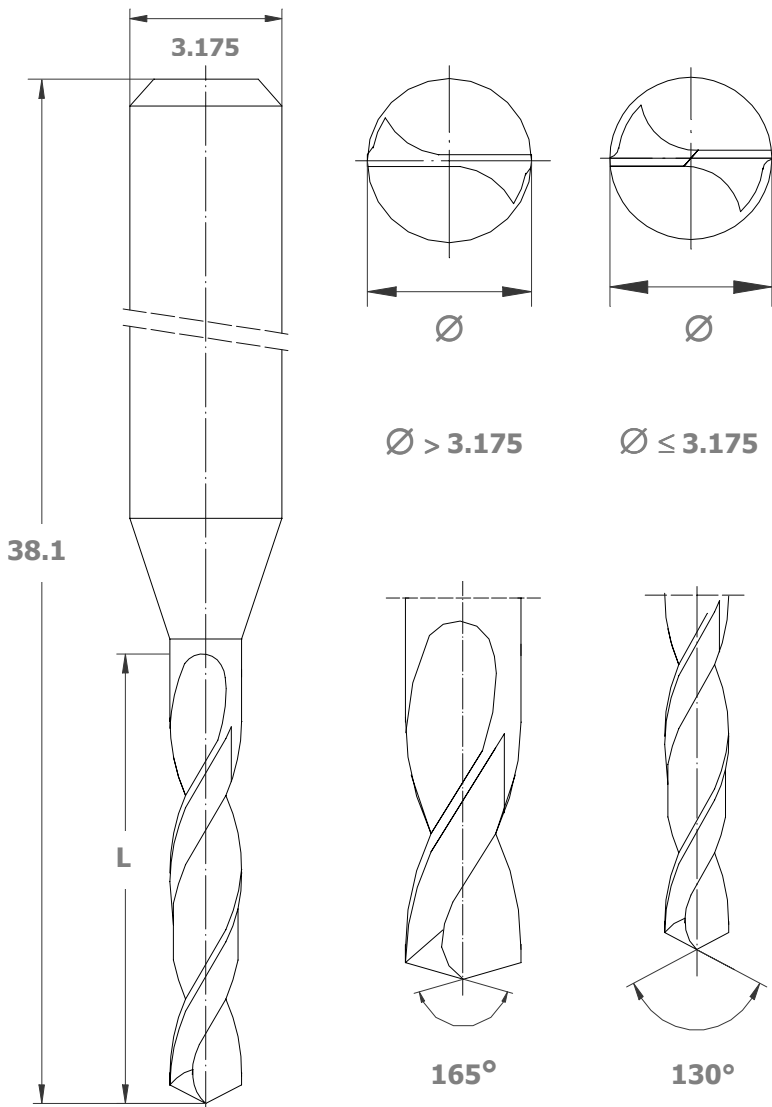


# 526

**Drill made of solid carbide.**

**Application:**

- for all standard products



		526			
Ø [mm]	L [mm]				
	7.0	8.5	10.5	12.0	
0.55	x	x			
0.60	x	x			
0.65	x	x			
0.70			x		
0.75			x		
0.80			x		
0.85			x		
0.90			x		
0.95			x		
1.00			x		
1.05			x		
1.10			x		
⋮			⋮		
3.15			x		
3.175			x		
3.20				x	
3.25				x	
⋮				⋮	
6.95				x	
7.00				x	